

Superior Air Performance

Standard Construction

Frame

4" x .081"(102 x 2.1) Extruded Aluminum
(6063-T5)

Blades

Z Style Blades, .081"(2.1) Extruded Aluminum
(6063-T5) at a 45° blade angle with
approximately 4"(102) blade spacing

Finishes

MILL

Penthouse Size Limits

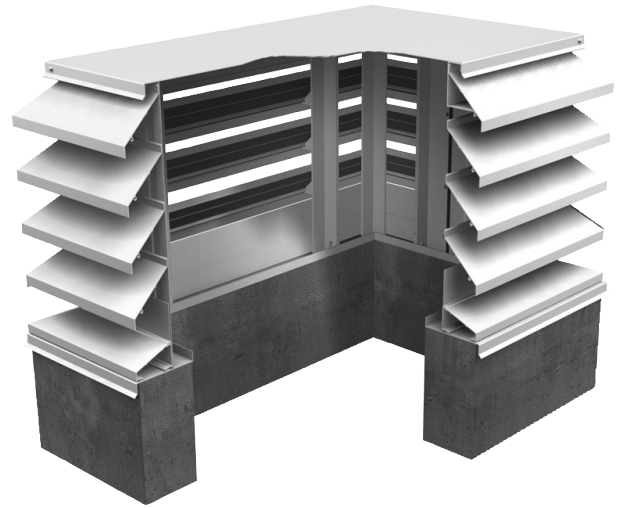
MAX. INSIDE CURB DIMENSION (LENGTH OR
WIDTH) 108"[2743]

MAX. HEIGHT ABOVE CURB 70.72"[1796]

MIN. INSIDE CURB DIMENSION (LENGTH OR
WIDTH) 16"[406]

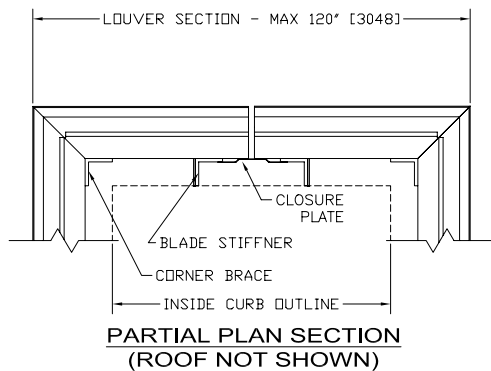
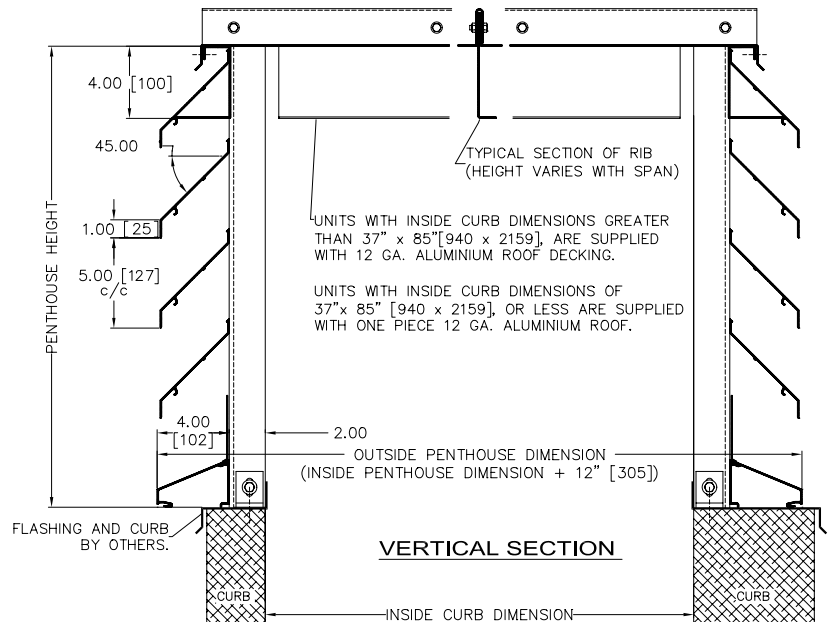
MIN. HEIGHT ABOVE CURB 15.72"[399]

PENTHOUSE HEIGHT = MULTIPLES OF 5"[127] +
15.72"[399]



Available Options

- Extended Sill (loose) 14 GA. Aluminum
- Variety of Bird & Insect Screens
- Wide variety of Finishes including:
Baked Enamel, Duranar & Duranar XL,
Clear & Colour Anodize
- Roof Curb
- * Select from PRICE Colour Chart or provide
Colour sample to match



ALL-WELDED CONSTRUCTION



| PROJECT | | | CUSTOMER | | | |
|---------------------|-----|-----------------------|-----------------|--------|---------|---|
| ARCHITECT | | | ENGINEER | | | |
| SPEC. SYMBOL | | | DATE | | | |
| QTY | TAG | INSIDE CURB DIMENSION | | | OPTIONS | UNITS: <input type="checkbox"/> IMPERIAL <input type="checkbox"/> METRIC |
| | | LENGTH | WIDTH | HEIGHT | | |
| | | | | | | |
| | | | | | | |
| | | | | | | |
| | | | | | | |