

Superior Air Performance

Standard Construction

Frame

6" x .081"(152 x 2.1) Extruded Aluminum
(6063-T5)

Blades

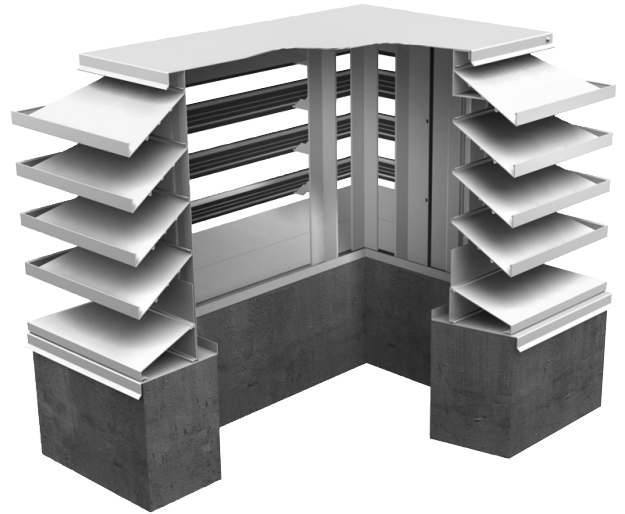
Drainable Style Blades, .081"(2.1) Extruded Aluminum (6063-T5) at a 35° blade angle with approximately 4.5"(114) blade spacing

Finishes

MILL

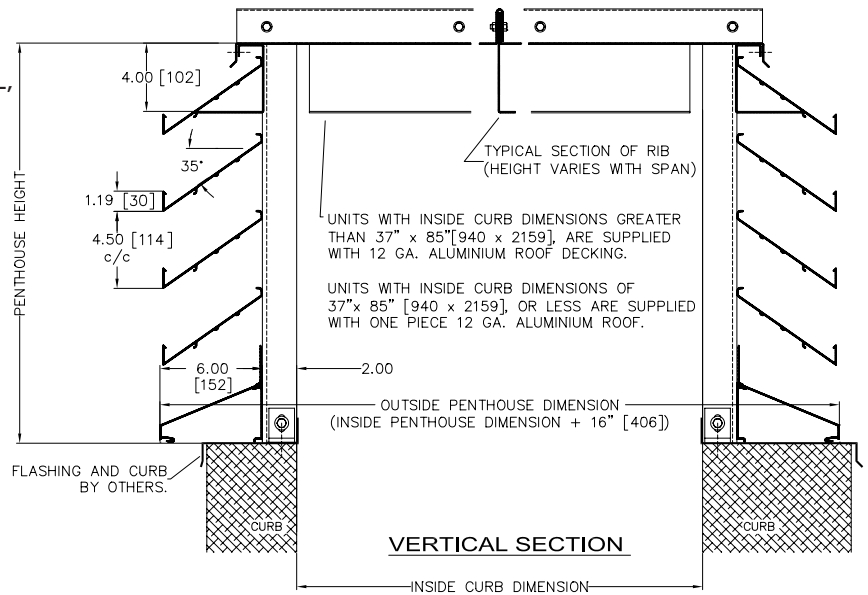
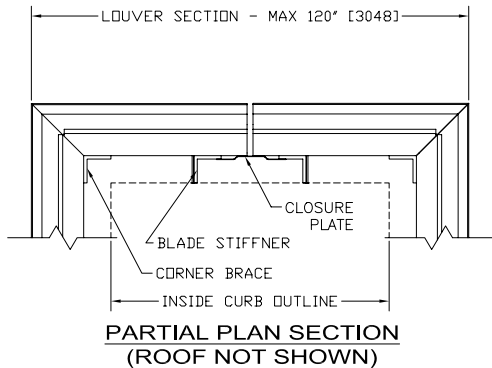
Penthouse Size Limits

MAX. INSIDE CURB DIMENSION (LENGTH OR WIDTH)
104"[2642]
MAX. HEIGHT ABOVE CURB 74.43"[1890]
MIN. INSIDE CURB DIMENSION (LENGTH OR WIDTH)
16"[406]
MIN. HEIGHT ABOVE CURB 15.93"[405]
PENTHOUSE HEIGHT = MULTIPLES OF 4.50"[114] +
15.93"[405]



Available Options

- Extended Sill (loose) 14 GA. Aluminum
- Variety of Bird & Insect Screens
- Wide variety of Finishes including:
Baked Enamel, Prime Coat, Duranar & Duranar XL,
Clear & Colour Anodize
- Roof Curb
- * Select from PRICE Colour Chart or provide
Colour sample to match



ALL-WELDED CONSTRUCTION



PROJECT			CUSTOMER			
ARCHITECT			ENGINEER			
SPEC. SYMBOL			DATE			
QTY	TAG	INSIDE CURB DIMENSION			OPTIONS	UNITS: <input type="checkbox"/> IMPERIAL <input type="checkbox"/> METRIC
		LENGTH	WIDTH	HEIGHT		